

AIREDALE

air conditioning for every environment

EasiCool Range

5 - 60kW

5 - 60kW



> **EasiCool**

Typical Applications

- > Telecommunications & ISP facilities
- > Computer rooms
- > Clean rooms
- > Switching stations
- > Laboratories

Water Cooled
Models
Now Available

www.airedale.com

EasiCool Range

Specifications

EasiCool

The newly developed EasiCool range is designed in a fully configured package to be quiet and easy to install. The EasiCool is capable of maintaining a precisely controlled air conditioned environment within the smallest possible footprint. High efficiency condenser and evaporator coils combined with carefully selected components ensure the lowest possible life-cycle costs in an excellent value package. The EasiCool range is ideal for high-tech environments where performance and reliability are essential.

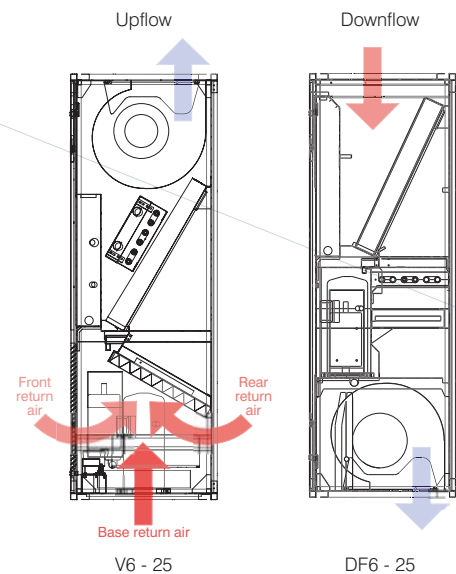
The EasiCool design incorporates an anodised aluminium exo-frame that is both aesthetically appealing and exceptionally rigid, allowing for full service from the front while at the same time allowing for full 360° unit service and maintenance access via detachable access panels.

Standard features such as direct drive, anti-vibration, mounted fans (Models V/DF6-25), tandem compressors (Models 22-60) and AireTronix controls with intelligent head pressure control keep the EasiCool range at the forefront of market technology. Modular construction and an extended range of options ensures there is a unit for every application.

The range includes seventy eight DX (thirty nine air cooled and thirty nine water cooled) and thirty four CW units with capacities ranging from 5kW to 60kW, incorporating full function (heating and humidification) or cooling only variations.



EasiCool range available in upflow and downflow variants



Key Technical Data

- > 5kW to 60kW nominal cooling capacity
- > 78 DX (39 air cooled and 39 water cooled) and 34CW cooling capacities
- > 6 Case sizes (6-10, 13-17, 22-25, 26-31, 35-45, 50-60)
- > Single circuit DX systems throughout
- > Advanced AireTronix controls technology
- > Tandem scroll compressors available for part load efficiencies (Models 22-60)
- > AV mounted direct drive forward curved fans (Models 6-25 only)
- > Modular construction
- > Low installation cost
- > Low noise
- > Full 360° service and maintenance access
- > Hydrophilic fin cooling coil
- > Upflow and downflow configuration
- > Optional integrated plenum (Upflow only)

Typical Applications



Computer Rooms



Clean Rooms

Standard Features

Through its use of carefully selected components and advanced technological features, the EasiCool provides a wide range of technical advantages in an excellent value package. AireTronix controls are fitted as standard, to allow for full intelligent control that maximises system efficiency and minimises unit life-cycle costs.

- > 30mm acoustic insulation on all panels minimises case noise breakout for quieter operation
- > AV mounted, direct drive fans allow for easy on site airflow adjustment and reduced noise vibration transmission (Models DF/V 6-25 only)
- > Low noise, sickle-bladed, axial condenser fans are housed in a bellmouth for improved efficiency and reduced noise breakout
- > Attenuated compressor housing reduces case noise breakout for quieter operation (Models DF 6-25 only)
- > Back lit 4 x 20 character display allows for password protection along with on-site adjustment and interrogation of all major components
- > Multilingual display (French, German, Spanish and English)
- > Intelligent, variable head pressure control ensures energy efficient operation of the condenser fans while protecting the system during low ambient conditions
- > Monitoring and adjustment of the head pressure from the AireTronix display for quick and simple on-site commissioning
- > AireTronix controller allows for intelligent unit control and full communication to BMS systems
- > Single circuit, direct expansion system for quick and simple low cost installation
- > Tandem compressors for two stage DX cooling strategy for improved EER during part load operation
- > Sight glass and filter drier included for system reliability
- > G4 rated, pleated disposable filters give superior high performance with lower airside pressure drops
- > 360° unit access via fully detachable panels
- > Front access to all major components facilitates quicker and easier service and maintenance
- > Optimised evaporator coils for maximum capacity ensures lowest cost per kW output
- > Factory-fitted mains isolator conforms to International safety standards
- > Compact footprint across the entire range

Options

In addition to its wide range of standard features the EasiCool range offers a number of enhanced options that can be specified to create a bespoke product that meets each individual customers unique application requirements

- > Modbus, Trend, Lonworks and Carel BMS interface cards ensure full network connectivity
- > GSM modem kit for remote alarm monitoring via specified mobile telephones
- > Clock card for date and time tagging of alarms
- > Night-time set-back reduces condenser fan speed at pre-set hours during the day or night for noise sensitive applications
- > Upgraded microprocessor for improved diagnostic functions
- > Front, rear and base return airflow configurations (upflow only) for application versatility
- > Electronic expansion valves provide up to a 30% increase in operational efficiency (fully adjustable from the display) further reducing operating costs
- > Integrated variable humidifiers (adjustable from display), 20%-100% output
- > Low, medium and high conductivity humidification bottles to suit all water types and maximise bottle life
- > Upgradeable condensers for reduced noise, improved energy efficiency, reduced operating costs and high ambient applications
- > 0-10 volt DC chilled water regulating valve for optimum system control
- > Chilled water bypass balancing valve for simple on-site water side balancing
- > Dual purpose, condensate pump for the humidifier and condensate drains
- > Electric heating
- > Thyristor (variable) controlled electric heating
- > Low pressure, hot water (LPHW) heating
- > Fire, flood and smoke detection
- > Phase rotation detection
- > Duct extensions, constructed and finished to match the unit to enhance aesthetics
- > Open and enclosed floor stands
- > Side pipe access for solid floors
- > Integrated plenum constructed from anodised aluminium extrusion (upflow only)



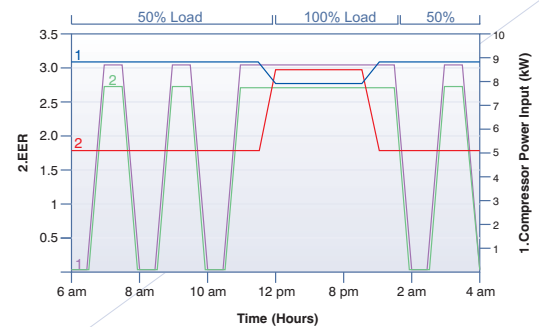
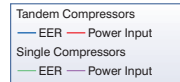
EasiCool EasiCool
(Models DF/V 6-25 only)
Designed to fit in one
piece through a standard
door frame

EasiCool Range

Features & Options

Key Feature : Tandem scroll compressors

The EasiCool range utilises tandem hermetic scroll compressors on a single circuit refrigeration system. This arrangement optimises the evaporator and condenser when in part load conditions, providing enhanced cooling performance with lower input powers and greater energy efficiency. This configuration also allows for two stages of cooling enabling capacity to more precisely match the application.



Key Feature : Direct drive supply air fans (Models DF/V 6-25 only)

Direct drive, forward curved impeller fans are fitted with rubber AV mounts as standard across the EasiCool range. A key feature of the direct drive fan is its high performance impeller that is dynamically balanced for maximum efficiency, offering easy set-up and speed adjustment.

The belt-free operation of the direct drive fans ensures minimal maintenance and eliminates belt particles from contaminating the airflow, and being fully adjustable from the microprocessor display, allows for simple alteration of air flow and static pressure, reducing commissioning time to a minimum.



EasiCool – Downflow
Front view detailing the direct drive supply air fans and the tandem scroll compressors

Key Feature : Optimised evaporator

The “slab” designed evaporator and chilled water coils combine a new fin technology with optimised coil configuration to maximise cooling capacity. Made from punched and pressed aluminium, each coil fin is coated in a special non-stick film that greatly reduces the surface tension of water. With the coating in place, beads of water forming on the fin surface quickly disperse and are drained away at the base of the coil.

The effect is that design air flows and subsequent cooling capacities can be much greater than traditional fin materials will allow. Together, the special fin coating and optimised configuration mean that the EasiCool can provide high levels of cooling in an extremely compact footprint.

Standard Al Fin.



Hydrophilic Al Fin.



Key Feature : Easy to install, commission, maintain & service

All major components, such as the expansion valves, compressor, humidifier and chilled water valve are accessible from the front of the unit and in the downflow (models 6-25 only) are housed in a specially enclosed section. Isolated from the airflow this area, along with the control panel, can be worked on with the unit in operation, helping to simplify commissioning and maintenance.

Designed as a single circuit system throughout the range, the need for multiple pipe work connections is minimised. This has the benefit of reducing installation costs in terms of both materials and time.

An anodised aluminum exo-frame combined with removable access panels allows for 360° unit access if required. Filter maintenance is software-managed and can be adjusted from the display to suit each application. A default factory-set value is installed on all units prior to dispatch.



EasiCool - DF45X-EZ
Front corner view detailing the optimised evaporator and easy access to all major components

Option: Water cooled

Plate condensers when fitted with a mechanical head pressure control valve for flow regulation, allow room heat loads to be transferred to a glycol/water solution. The heat in this solution can then be dispersed via systems such as a cooling tower or remotely mounted air-cooled dry cooler.

Because the DX water cooled system is fully packaged and factory pre-charged, refrigerant volumes are kept to an absolute minimum, aiding "F Gas" compliancy, whilst at the same time keeping installation costs low. In addition, any concerns over oil return on extended pipe run systems are eliminated due to the packaged DX system having a fixed suction line length.



Option : Low noise condenser fan

Specifically designed for night-time operation as optimum low noise levels are achieved with reduced ambient temperature and room loads. This feature is also ideal for residential and other outdoor noise-critical applications.

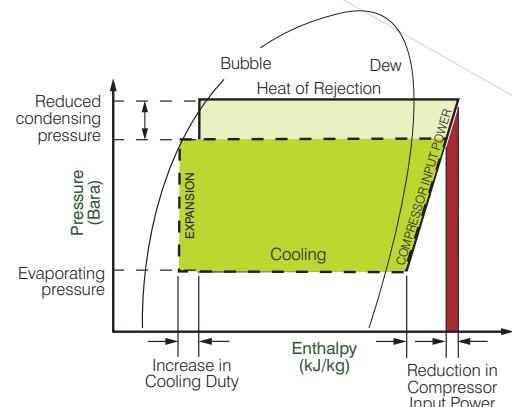
For sound critical applications, night-time set back is available as an option. This ensures condenser sound levels are kept to a minimum within user defined timescales.



Option : Electronic expansion valves

Whilst offering versatile control at the full design duty of the unit, standard Thermostatic Expansion Valves (TEV) do not automatically optimise themselves to all operating conditions. Therefore, if the refrigeration system is operating at 40% or 50% of full load, especially at a lower ambient temperature than that for which the valve was sized, the conventional TEV must have the design head pressure available to ensure good refrigerant control. Maintaining an artificially high condensing pressure is normal in conventional systems.

Using an Electronic Expansion Valve (EEV) allows for good refrigeration control whilst operating at part load and lower ambient conditions with a reduced condensing pressure. By fitting an EEV and reducing the head pressure control setting an increase in the system EER (Energy Efficiency Ratio) of up to 30% can typically be seen. The Mollier diagram shown right helps to illustrate how this increase in efficiency is achieved.



Option : Intelligent modulating humidification

Fitted as an option across the range, the humidifier offers variable humidification (20-100%), in an integrated package. Connected to the microprocessor, humidification rates are matched precisely to requirement allowing for tight %RH control of the conditioned space. All operational parameters and alarms are accessible from the display, meaning that values such as supply water conductivity level or steam production rate can be viewed and adjusted as required. Specific alarms allow for quick and simple fault finding.

A range of high, medium and low conductivity bottles means that the traditional problems of short bottle lifetime or poor conductivity levels are all but eliminated for applications with abnormal supply water conditions.



EasiCool downflow and upflow
Front view detailing the intelligent modulating humidifier and AireTronix microprocessor

AIRETronix Intelligent Controls

EasiCool units are equipped with intelligent Airetronix microprocessors specially developed by Airedale to facilitate automation and optimisation of the system. The fully programmable microprocessors are linked with key components within the cooling system, allowing sophisticated, modulating and self-optimising control for increased energy efficiency. The controller's door-mounted display allows viewing of the unit's operating status and its multi-button keypad allows adjustment to control parameters by allowing the operator easy access to a menu system.

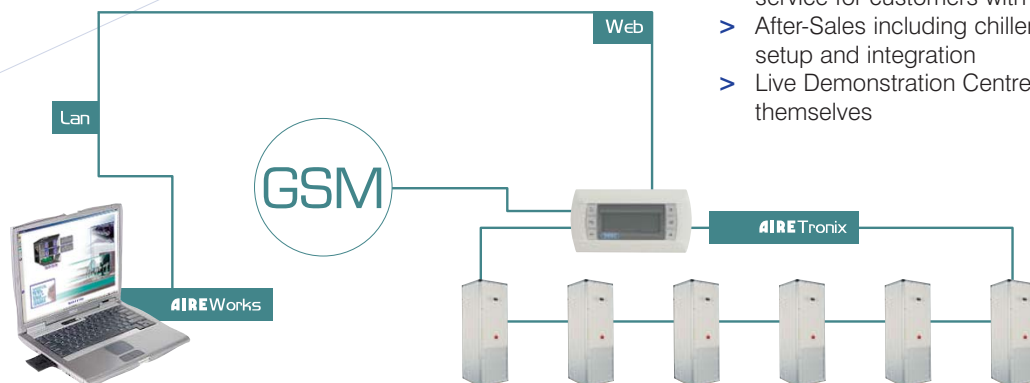


Standard Microprocessor Features:

- > LCD backlit display
- > Multi-Language (French, German, Spanish & English)
- > 1MB FLASH program memory
- > Remote on / off capability
- > Compressor anti-cycle control
- > Compressor hours run log and reset
- > Duty rotation (networked units)
- > Temperature and humidity sensor (return air)
- > Visual alarm display
- > Password protection

Duty/Standby Operation

AireTronix microprocessors can be set-up for duty/standby operation without the requirement for an external sequence panel. Up to six EasiCool units can be networked together using proprietary Belden 2-core screened communication cable.



Interconnectivity

The network-capable AireTronix controller can be integrated with a wide range of BMS protocols including the Internet via an internal Ethernet plug-in card. The plug-in serial cards have options to communicate with the following systems – Carel, Modbus-Jbus, Trend, Echelon LonWorks devices and Metasys Johnson Controls. The following integration is also available:

- > BACnet
- > Fax, SMS and GSM
- > SNMP (Simple Network Management Protocol)
 - used for Ethernet TCP IP

Supervisory & Integration

AireWorks

AireWorks is an intelligent BMS software programme which links individual EasiCool systems and Airedale chillers managed by AireTronix controllers and located on one or more sites, into a single, proactive control platform. With the click of a button, information can be pulled back automatically and used for remote monitoring and control including 24/7 alarm indication, time scheduling and adjustment of temperature setpoints for increased energy efficiency.

pCOWeb

pCOWeb supervisory plug-in cards make communicating with an Airedale unit purely a matter of logging onto the office Internet/Intranet. Based on Ethernet TCP/IP secure technology and SNMP features, pCOWeb requires no proprietary cabling or monitoring software, little or no set-up on site and is pre-programmed with an IP address.

GSM

For very simple remote alarm indication, the AireTronix controllers can be fitted with a modem serial card which allows connection to "dual band" type or GSM modems. A recipient's mobile telephone number can be entered into the controller, allowing alarms to be sent to any required personnel.

Airedale Controls - Additional Services

- > Software program design that will manage everything in the air conditioning system, fine-tuning it for energy efficiency
- > Remote Monitoring Centre – a tele-monitoring bureau service for customers with critical sites
- > After-Sales including chiller sequencing, network setup and integration
- > Live Demonstration Centre led by the programmers themselves

EasiCool - Air Cooled (X) Units

Model No. ¹	DOWNFLOW						UPFLOW						Dimensions (H x W x D) (mm)	Air Flow (m ³ /s)	Humidification kg/hr ⁵
	Nominal Capacity ²		Weight (Kg)	Electric Heat Capacity (kW) ³	Rec Mains Fuse (A)	Sound Pressure @ 3m (dBA)	Nominal Capacity ²		Weight (Kg)	Electric Heat Capacity (kW) ³	Rec Mains Fuse (A)	Sound Pressure @ 3m (dBA) ⁴			
	TC (kW)	SC (kW)					TC (kW)	SC (kW)							
6X-EZ	6.2	6.2	185	7.5	25	43	6.1	6.1	165	7.5	25	40	1940 x 670 x 670	0.55	0.6 - 3.0
8X-EZ	8.7	8.3	196	7.5	32	48	8.5	8.2	174	7.5	32	45	1940 x 670 x 670	0.75	0.6 - 3.0
10X-EZ	10.0	9.8	200	7.5	32	51	9.7	9.7	178	7.5	32	48	1940 x 670 x 670	0.95	0.6 - 3.0
13X-EZ	12.9	12.0	222	7.5	40	48	12.7	11.9	216	7.5	40	45	1940 x 990 x 670	1.00	0.6 - 3.0
15X-EZ	15.6	14.4	235	7.5	40	47	15.3	14.2	229	7.5	40	44	1940 x 990 x 670	1.20	0.6 - 3.0
17X-EZ	18.7	18.0	238	7.5	40	50	18.2	17.8	232	7.5	40	47	1940 x 990 x 670	1.40	0.6 - 3.0
22X2-EZ	23.9	21.2	308	15	63	52	23.3	20.9	300	15	63	50	1940 x 1310 x 670	1.70	0.6 - 3.0
25X2-EZ	24.6	23.1	308	15	63	56	23.9	22.9	300	15	63	54	1940 x 1310 x 670	2.00	0.6 - 3.0
26X-EZ	25.7	25.4	452	20	63	53	26.3	26.3	445	15	63	57	1940 x 1460 x 750	2.10	1.6 - 8.0
26X2-EZ	-	-	-	-	63	-	27.8	27.2	430	15	80	56	1940 x 1460 x 750	2.10	1.6 - 8.0
28X-EZ	26.2	26.2	452	20	63	55	26.8	26.8	450	15	80	59	1940 x 1460 x 750	2.40	1.6 - 8.0
28X2-EZ	-	-	-	-	63	-	28.5	28.5	436	15	80	56	1940 x 1460 x 750	2.40	1.6 - 8.0
31X-EZ	30.2	30.2	459	20	80	58	31.0	31.0	452	15	80	61	1940 x 1460 x 750	2.80	1.6 - 8.0
31X2-EZ	-	-	-	-	63	-	33.1	33.1	445	15	80	60	1940 x 1460 x 750	2.80	1.6 - 8.0
35X-EZ	36.0	36.0	501	20	80	58	36.8	36.8	498	22.5	100	61	1940 x 1835 x 750	3.30	3.0 - 15.0
35X2-EZ	-	-	-	-	80	-	36.1	36.1	516	22.5	80	61	1940 x 1835 x 750	3.30	3.0 - 15.0
40X-EZ	40.3	40.3	522	20	100	60	41.3	41.3	519	22.5	100	63	1940 x 1835 x 750	3.70	3.0 - 15.0
40X2-EZ	-	-	-	-	80	-	39.5	39.5	516	22.5	100	62	1940 x 1835 x 750	3.70	3.0 - 15.0
45X-EZ	43.5	43.5	550	20	100	60	-	-	-	-	100	-	1940 x 1835 x 750	3.70	3.0 - 15.0
45X2-EZ	-	-	-	-	80	-	41.3	41.3	635	22.5	100	63	1940 x 1835 x 750	3.70	3.0 - 15.0
50X2-EZ	49.8	49.8	665	30	100	56	51.2	51.2	663	22.5	100	65	1940 x 2170 x 750	4.20	3.0 - 15.0
55X2-EZ	56.9	53.7	678	30	100	57	58.2	55.9	676	22.5	100	65	1940 x 2170 x 750	4.20	3.0 - 15.0
60X2-EZ	59.9	57.6	674	30	125	58	61.3	59.9	676	22.5	125	65	1940 x 2170 x 750	4.60	3.0 - 15.0

TC = Total Cooling and SC = Sensible Cooling

- 2 suffix indicates Tandem Scroll Compressor. Data based on models matched with a Standard Air Cooled Remote Condensers (CE), for improved performance, an upgraded condenser is available (CE-UP)
- Nominal cooling based on 24°C db/45% RH and 35°C ambient.

- Standard and Larger options available on sizes 26 - 60.
- Ducted rear return air.
- Variable range of humidification.

EasiCool - Chilled Water (CW) Units

Model No.	DOWNFLOW						UPFLOW						Dimensions (H x W x D) (mm)	Air Flow (m ³ /s)	Humidification kg/hr ⁴
	Nominal Capacity ¹		Weight (Kg)	Electric Heat Capacity (kW) ²	Rec Mains Fuse (A)	Sound Pressure @ 3m (dBA)	Nominal Capacity ²		Weight (Kg)	Electric Heat Capacity (kW) ²	Rec Mains Fuse (A)	Sound Pressure @ 3m (dBA) ³			
	TC (kW)	SC (kW)					TC (kW)	SC (kW)							
6CW-EZ	8.0	7.1	155	7.5	25	43	7.8	7.0	138	7.5	25	37	1940 x 670 x 670	0.55	0.6 - 3.0
8CW-EZ	9.2	9.2	165	7.5	32	48	9.0	9.0	147	7.5	32	42	1940 x 670 x 670	0.75	0.6 - 3.0
10CW-EZ	11.1	11.1	168	7.5	32	51	10.8	10.8	150	7.5	32	45	1940 x 670 x 670	0.95	0.6 - 3.0
13CW-EZ	14.8	13.5	195	7.5	32	48	14.5	13.3	190	7.5	32	42	1940 x 990 x 670	1.00	0.6 - 3.0
15CW-EZ	17.5	15.6	200	7.5	32	46	17.1	15.3	195	7.5	32	41	1940 x 990 x 670	1.20	0.6 - 3.0
17CW-EZ	19.6	17.7	200	7.5	32	50	19.2	17.4	195	7.5	32	45	1940 x 990 x 670	1.40	0.6 - 3.0
22CW-EZ	24.6	22.0	252	15	50	52	24.1	21.6	246	15	50	47	1940 x 1310 x 670	1.70	0.6 - 3.0
25CW-EZ	27.8	25.1	252	15	50	56	27.2	24.6	246	15	50	51	1940 x 1310 x 670	2.00	0.6 - 3.0
26CW-EZ	31.3	27.9	351	20	50	52	30.7	27.3	344	22.5	50	55	1940 x 1460 x 750	2.10	1.6 - 8.0
28CW-EZ	34.5	31.1	351	20	50	55	33.9	30.5	349	22.5	63	58	1940 x 1460 x 750	2.40	1.6 - 8.0
31CW-EZ	38.4	35.3	354	20	63	58	37.7	34.6	347	22.5	63	60	1940 x 1460 x 750	2.80	1.6 - 8.0
35CW-EZ	44.8	42.1	410	20	63	58	43.9	41.2	408	30	80	60	1940 x 1835 x 750	3.30	3.0 - 15.0
40CW-EZ	50.8	45.8	431	20	80	60	49.8	44.9	429	30	80	62	1940 x 1835 x 750	3.70	3.0 - 15.0
45CW-EZ	53.6	48.5	442	20	80	60	52.6	47.5	440	30	80	62	1940 x 1835 x 750	3.70	3.0 - 15.0
50CW-EZ	51.9	51.9	486	30	80	56	50.9	50.9	485	30	80	64	1940 x 2170 x 750	4.20	3.0 - 15.0
55CW-EZ	59.0	55.1	499	30	80	56	57.9	54.0	498	30	80	64	1940 x 2170 x 750	4.20	3.0 - 15.0
60CW-EZ	59.2	59.2	495	30	80	58	58.0	58.0	498	30	80	66	1940 x 2170 x 750	4.20	3.0 - 15.0

TC = Total Cooling and SC = Sensible Cooling

- Nominal cooling based on 24°C db/45% RH and 7.5°C water.
- Standard and Larger options available on sizes 26 - 60.

- Ducted rear return air.
- Variable range of humidification.

EasiCool Range

Technical Specifications

EasiCool - Water Cooled (WX) Units

Model No. ¹	DOWNFLOW							UPFLOW							Dimensions (H x W x D) (mm)	Air Flow (m ³ /s)	Humidification kg/hr ⁶
	Nominal Capacity ²			Weight (Kg) ³	Electric Heat Capacity (kW) ⁴	Rec Mains Fuse (A)	Sound Pressure @ 3m (dBA)	Nominal Capacity ²			Weight (Kg) ³	Electric Heat Capacity (kW) ⁴	Rec Mains Fuse (A)	Sound Pressure @ 3m (dBA) ⁵			
	TC (kW)	SC (kW)	THR (kW)					TC (kW)	SC (kW)	THR (kW)							
6WX-EZ	6.6	6.4	8.7	200	7.5	25	43	6.5	6.4	8.6	179	7.5	25	40	1940 x 670 x 670	0.55	0.6 - 3.0
8WX-EZ	9.4	8.6	11.8	214	7.5	32	48	9.1	8.5	11.5	192	7.5	32	45	1940 x 670 x 670	0.75	0.6 - 3.0
10WX-EZ	10.7	10.3	13.3	218	7.5	32	51	11.6	11.0	14.4	196	7.5	32	48	1940 x 670 x 670	0.95	0.6 - 3.0
13WX-EZ	14.1	12.6	17.0	243	7.5	32	48	11.9	11.5	14.4	237	7.5	32	45	1940 x 990 x 670	1.00	0.6 - 3.0
15WX-EZ	17.0	15.0	20.2	262	7.5	40	47	16.7	14.9	19.8	256	7.5	40	44	1940 x 990 x 670	1.20	0.6 - 3.0
17WX-EZ	20.2	18.7	23.8	268	7.5	40	50	19.5	18.5	23.1	261	7.5	40	47	1940 x 990 x 670	1.40	0.6 - 3.0
22WX2-EZ	25.9	22.1	30.3	341	15	63	52	25.1	21.8	29.4	333	15	63	50	1940 x 1310 x 670	1.70	0.6 - 3.0
25WX2-EZ	26.7	24.1	31.1	341	15	63	56	25.8	23.8	30.2	333	15	63	54	1940 x 1310 x 670	2.00	0.6 - 3.0
26WX-EZ	28.1	26.6	32.7	503	20	63	53	28.9	27.7	33.5	495	22.5	63	57	1940 x 1460 x 750	2.10	1.6 - 8.0
26WX2-EZ	-	-	-	-	-	-	-	30.7	28.7	35.7	480	22.5	63	56	1940 x 1460 x 750	2.10	1.6 - 8.0
28WX-EZ	28.8	28.6	33.4	503	20	63	55	29.6	29.6	34.3	501	22.5	63	59	1940 x 1460 x 750	2.40	1.6 - 8.0
28WX2-EZ	-	-	-	-	-	-	-	31.5	30.8	36.6	487	22.5	63	58	1940 x 1460 x 750	2.40	1.6 - 8.0
31WX-EZ	32.5	32.5	37.7	510	20	80	58	33.5	33.5	38.8	503	22.5	80	61	1940 x 1460 x 750	2.80	1.6 - 8.0
31WX2-EZ	-	-	-	-	-	-	-	36.1	35.5	41.8	495	22.5	63	60	1940 x 1460 x 750	2.80	1.6 - 8.0
35WX-EZ	38.6	38.6	44.8	555	20	80	58	39.7	39.7	46.0	552	30	80	61	1940 x 1835 x 750	3.30	3.0 - 15.0
35WX2-EZ	-	-	-	-	-	-	-	39.0	39.0	44.9	570	30	80	61	1940 x 1835 x 750	3.30	3.0 - 15.0
40WX-EZ	43.1	43.1	49.8	581	20	80	60	44.5	44.5	51.3	578	30	100	63	1940 x 1835 x 750	3.70	3.0 - 15.0
40WX2-EZ	-	-	-	-	-	-	-	42.8	42.8	49.5	574	30	100	62	1940 x 1835 x 750	3.70	3.0 - 15.0
45WX-EZ	47.8	46.1	54.7	628	20	80	60	-	-	-	-	-	-	-	1940 x 1835 x 750	3.70	3.0 - 15.0
45WX2-EZ	-	-	-	-	-	-	-	46.1	46.1	52.8	715	30	100	63	1940 x 1835 x 750	3.70	3.0 - 15.0
50WX2-EZ	54.0	52.5	62.3	747	30	100	56	55.6	54.6	64.0	744	30	100	65	1940 x 2170 x 750	4.20	3.0 - 15.0
55WX2-EZ	61.2	55.9	70.1	761	30	100	57	63.0	58.3	72.0	759	30	100	65	1940 x 2170 x 750	4.20	3.0 - 15.0
60WX2-EZ	64.9	60.1	74.4	757	30	100	58	68.8	62.7	76.5	759	30	100	65	1940 x 2170 x 750	4.60	3.0 - 15.0

TC = Total Cooling, SC = Sensible Cooling and THR = Total heat of Rejection

- 2' suffix indicates Tandem Scroll Compressor.
- Nominal cooling based on 24°C/45% RH Water: evaporating 30°C/35°C
- Delivery weight includes full operating charge of R407C
- Standard and Larger options available on sizes 26 - 60.
- Ducted rear return air.
- Variable range of humidification.

- > For the latest information on our Close Control products please visit : www.airedale.com
- > Please refer to the technical manuals for more detailed information
- > Airedale participates in the Eurovent Certification programme as a founder member. The performance data of certified products is independently verified and identified within the relevant sales literature.

Your nearest Airedale distributor is:

AIREDALE
air conditioning for every environment

**Airedale International
Air Conditioning Limited**

Leeds Road, Rawdon
Leeds, LS19 6JY, England

T : +44 (0) 113 239 1000
F : + 44 (0) 113 250 7219
E : enquiries@airedale.com
W : www.airedale.com

A **MODINE** Company

